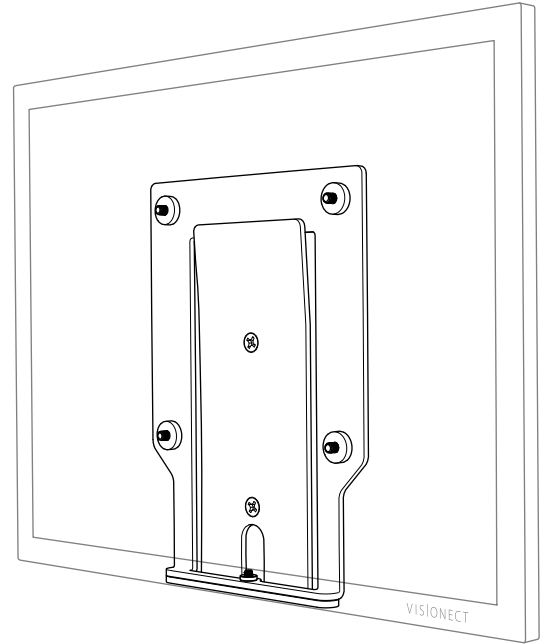


Wall Mount

for Visionect 13" devices



H941



Drywall Anchor



Drywall Anchor Screw



Device-mount Spacers



Device-mount Screws



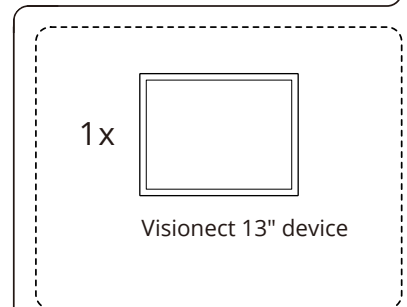
T10 Security Torx Key



Hex Assembly Key



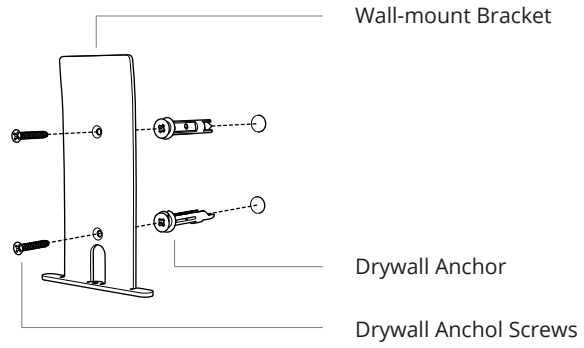
T10 Security Torx Screw



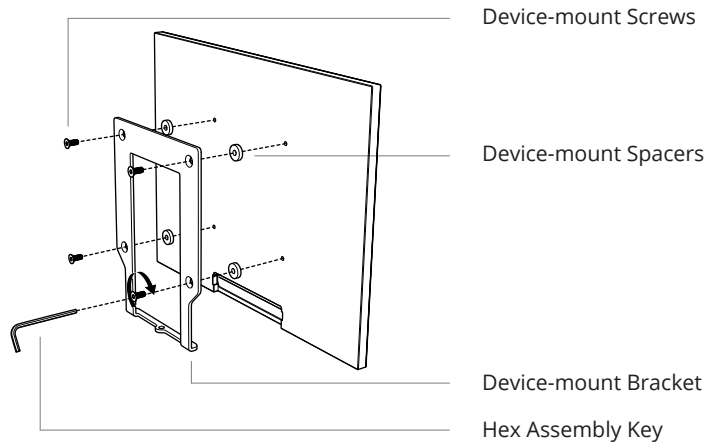
Visionect 13" device

Mounting To Drywall

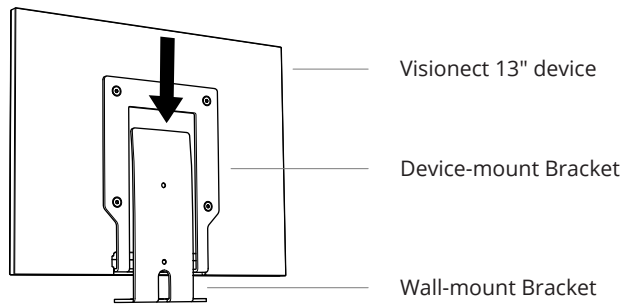
1 Install Drywall Anchor Screws into the wall.



2 Install Visionect 13" device to device bracket.



3 Mount Visionect 13" device + device-mount bracket to wall-mount bracket.



4 Install security screw.

